



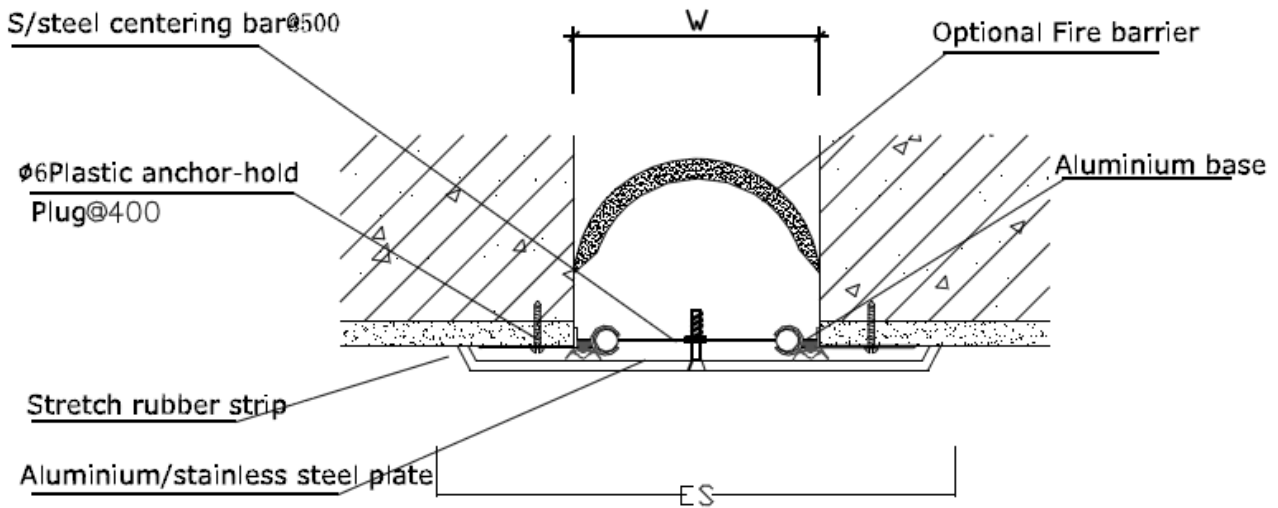
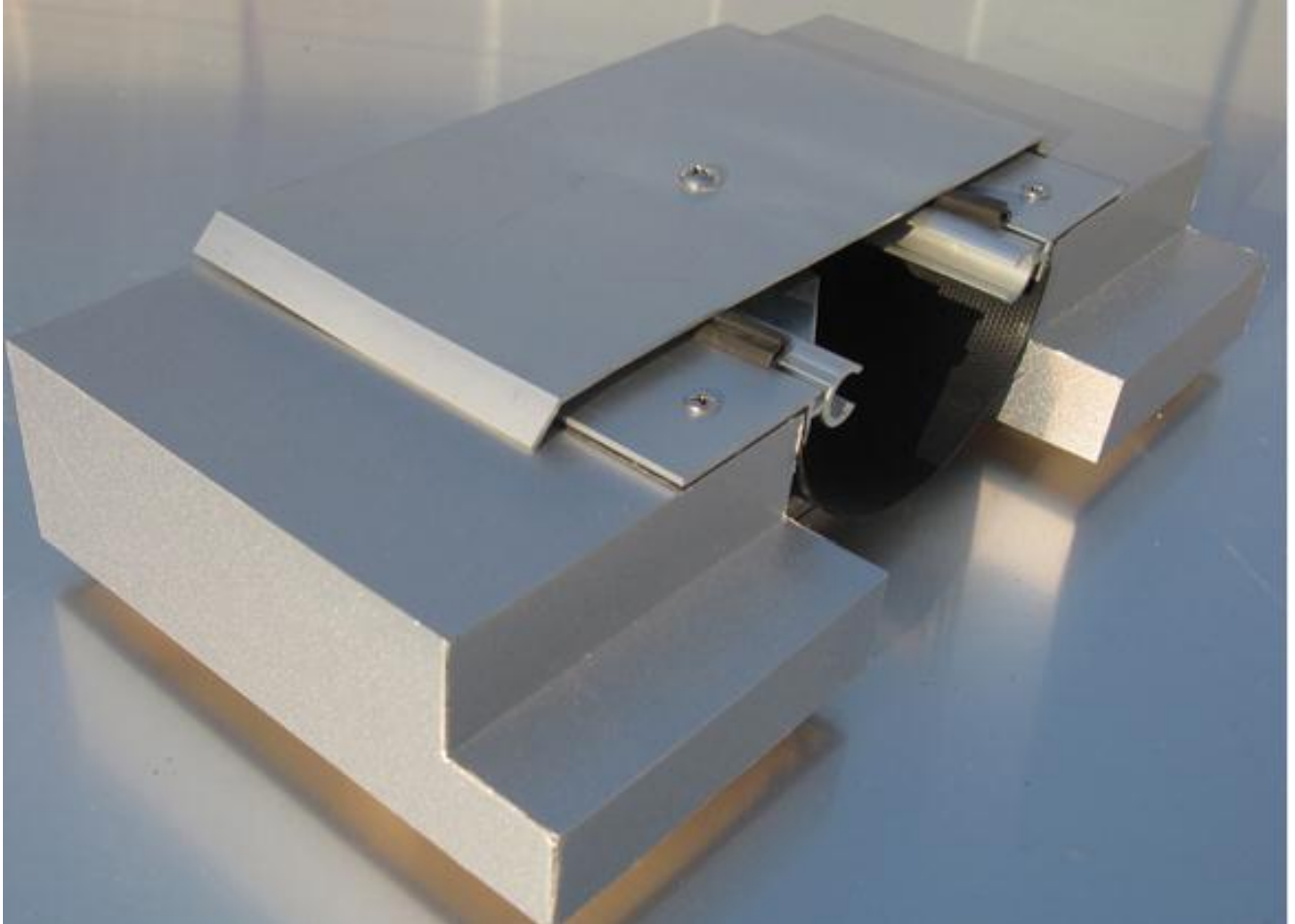
# MEISHUO Building Materials CO.,Ltd

Office: No.2208, Huaqiao Square, Pukou district, Nanjing,China

Tel: 0086-025-58196288 Fax:0086-025-58196399

Website: [www.msbox.com](http://www.msbox.com) E-mail:sariel@msbox.com

## MSQG EXPANSION JOINT SPEC DATA





# MEISHUO Building Materials CO.,Ltd

Office: No.2208, Huaqiao Square, Pukou district, Nanjing,China

Tel: 0086-025-58196288 Fax:0086-025-58196399

Website: [www.msbox.com](http://www.msbox.com) E-mail:sariel@msbox.com

## MSQG EXPANSION JOINT SPEC DATA

### Product Description:

An architectural line of thermal, seismic, waterproof and fire rated expansion joint systems meeting the aesthetic and structural demands of airports, hospitals, shopping malls and other building types.

- Suitable for Joint width 50—500mm
- Featuring a Glide Plate and Centering Bar System
- Designed for interior wall, ceiling and exterior wall
- Recessed frame is designed for drywall installations or can be surface mounted
- More stronger
- Better durability
- Beautiful surface
  - Ideal for different wall finishes
  - Anodised Aluminum, sprayed Aluminum, Stainless steel plate and Brass plate can be chosen

### BASIC USES:

Application: Wall to Wall

Standard Metal Wall Covers MSQG														
Suitable for Joint width: 50—500mm														
Aluminum Base wall thickness: 1mm, 2mm														
Joint Width(W)	50	75	100	125	150	175	200	250	300	350	400	450	500	
Exposed surface(ES)	150	175	200	225	250	275	300	350	400	450	500	650	600	
Movement Capacity	Total	120	130	155	180	205	230	255	305	355	405	455	505	555
	+	100	100	100	100	100	100	100	100	100	100	100	100	100
	-	20	30	55	80	105	130	155	205	255	305	355	405	455
Wideness of Plate(mm)	150	175	200	225	250	275	300	350	400	450	500	550	600	
Thickness of Plate (mm)	1.5	1.5	1.5	1.5	1.5	2	2	2	3	3	3	3	3	



## **MEISHUO Building Materials CO.,Ltd**

**Office: No.2208, Huaqiao Square, Pukou district, Nanjing,China**

**Tel: 0086-025-58196288 Fax:0086-025-58196399**

**Website: [www.msbox.com](http://www.msbox.com) E-mail:sariel@msbox.com**

### **TECHNICAL DATA:**

#### **MATERIALS:**

**Stainless Steel:** AISI 304

**Aluminum Base:** ASTM 6063T5 Mill finish, anodisation

**Aluminum Plate:** 1060

### **WARRANTY:**

Meishuo warrants that its products are manufactured free of defects and conform to the technical data listed. Under this warranty, we will replace any material proven defective when applied in accordance with our written instructions for applications recommended by us as suitable for subject products. Meishuo shall not be liable for any injury, loss or damage, direct or consequential, arising out of the use of the product.