



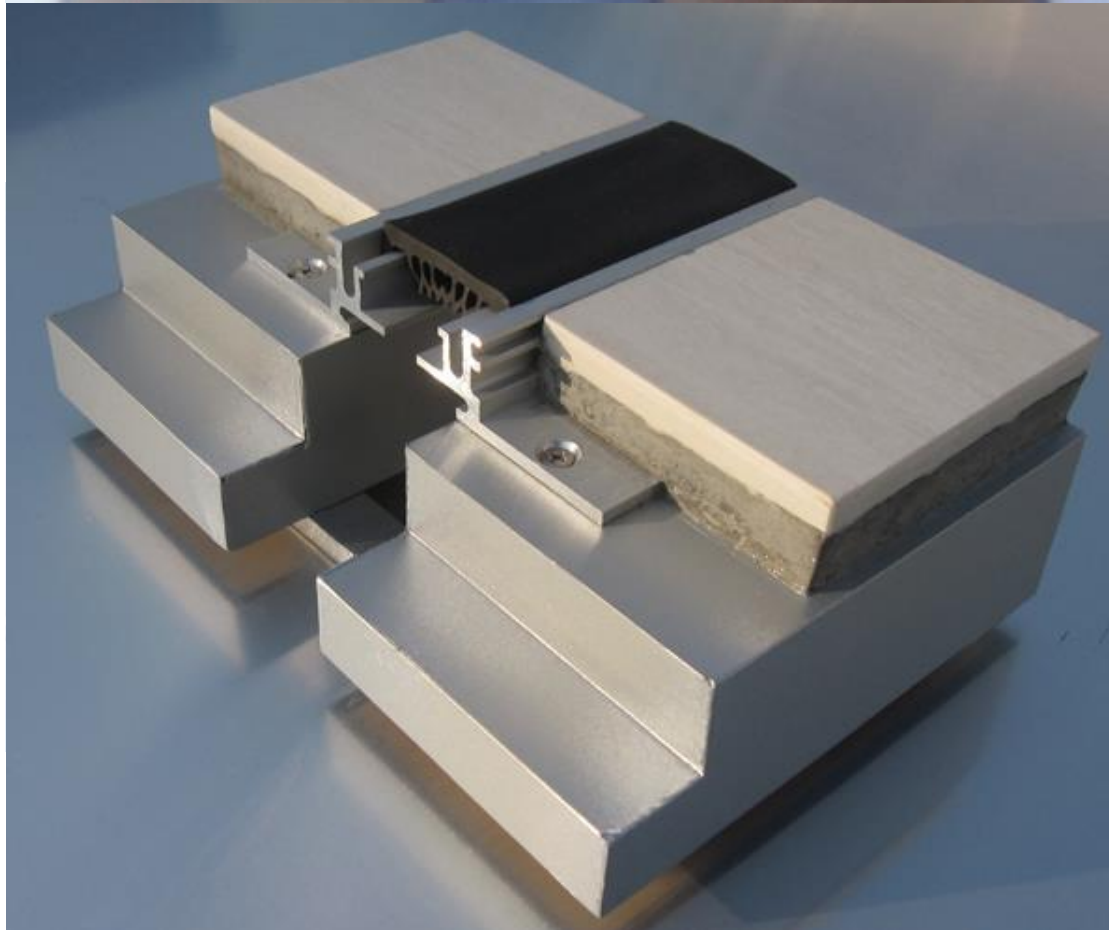
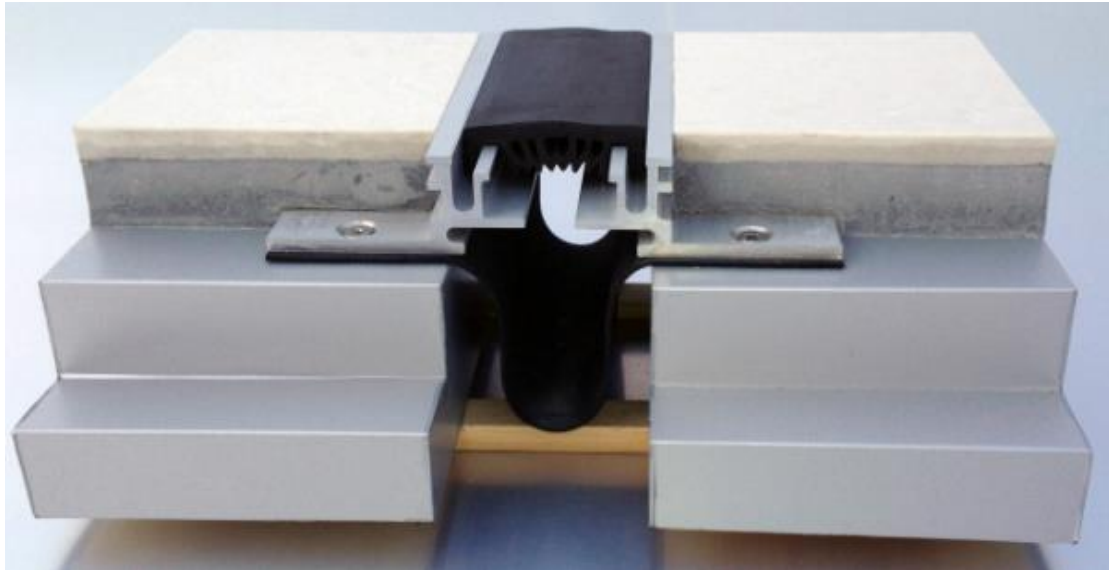
MEISHUO Building Materials CO.,Ltd

Office: No.608, Huaqiao Square, Pukou district, Nanjing,China

Tel: 0086-025-58196288 Fax:0086-025-58196399

Website: www.msbox.com E-mail:sariel@msbox.com

MSDDJF50 EXPANSION JOINT SPEC DATA





MEISHUO Building Materials CO.,Ltd

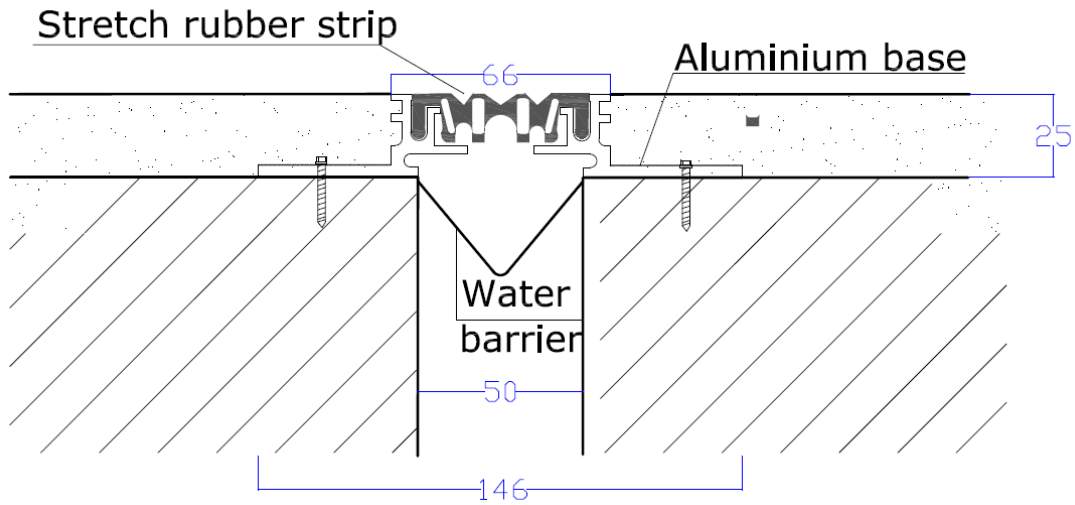
Office: No.608, Huaqiao Square, Pukou district, Nanjing,China

Tel: 0086-025-58196288

Fax:0086-025-58196399

Website: www.msbxf.com

E-mail:sariel@msbxf.com



Product Description:

- Designed for small joint width
- Featuring a recessed design that minimizes sight lines
- Flexible seal provides a secure fit and yet retains flexibility
- Gaskets available in many coordinating designer colors
- Snap-fit design for easy on-site assembly
- Durable architectural aluminum frames and covers
- Ideal for carpet, vinyl, ceramic tile and other floor finishes

BASIC USES:

Application: floor to floor

Gap Width: 50mm

Surface: 66mm

Thickness of Aluminum Base: 4mm

TECHNICAL DATA:

MATERIALS:

Aluminum: ASTM 6063T5 Mill finish, anodisation

WARRANTY:

Meishuo warrants that its products are manufactured free of defects and conform to the technical data listed. Under this warranty, we will replace any material proven defective when applied in accordance with our written instructions for applications recommended by us as suitable for subject products. Meishuo shall not be liable for any injury, loss or damage, direct or consequential, arising out of the use of the product.