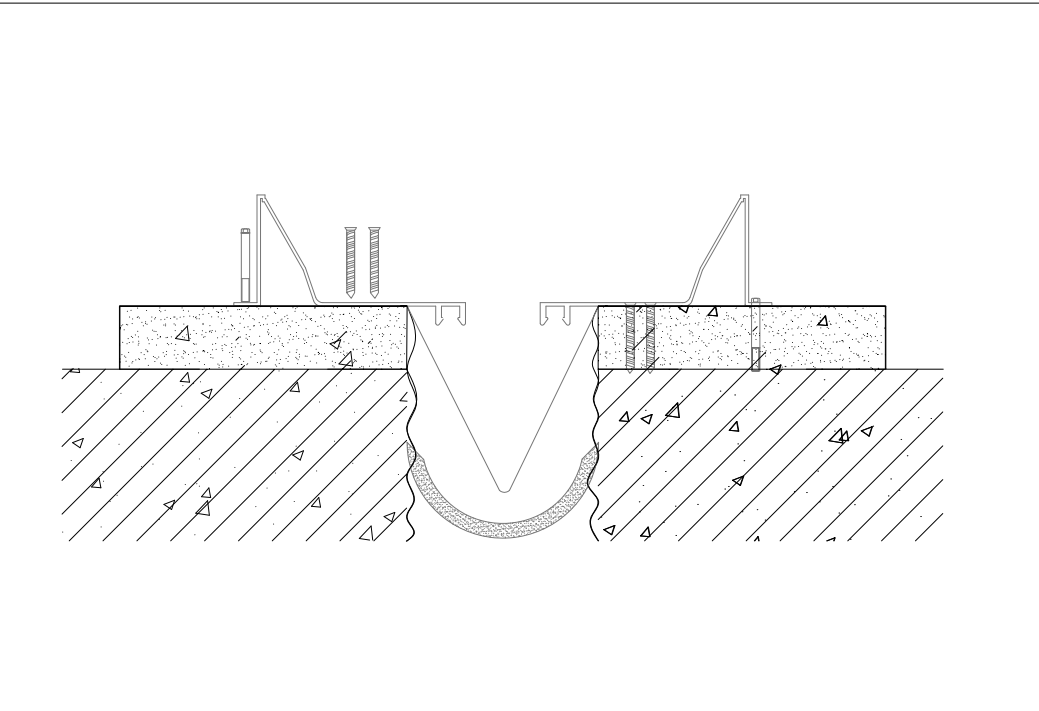
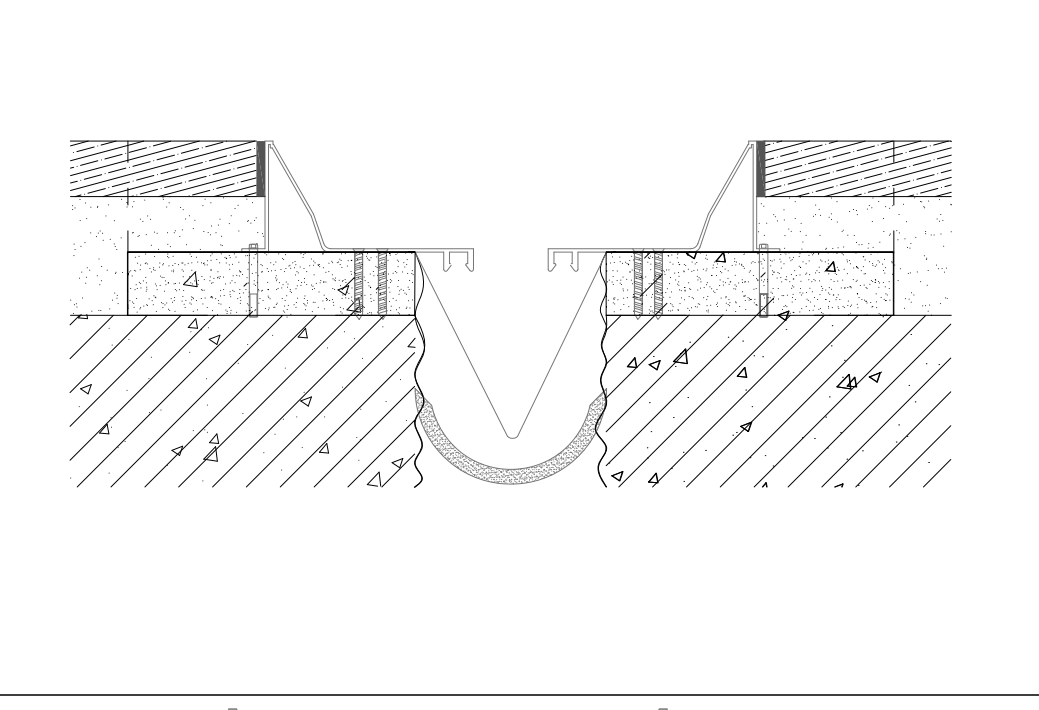


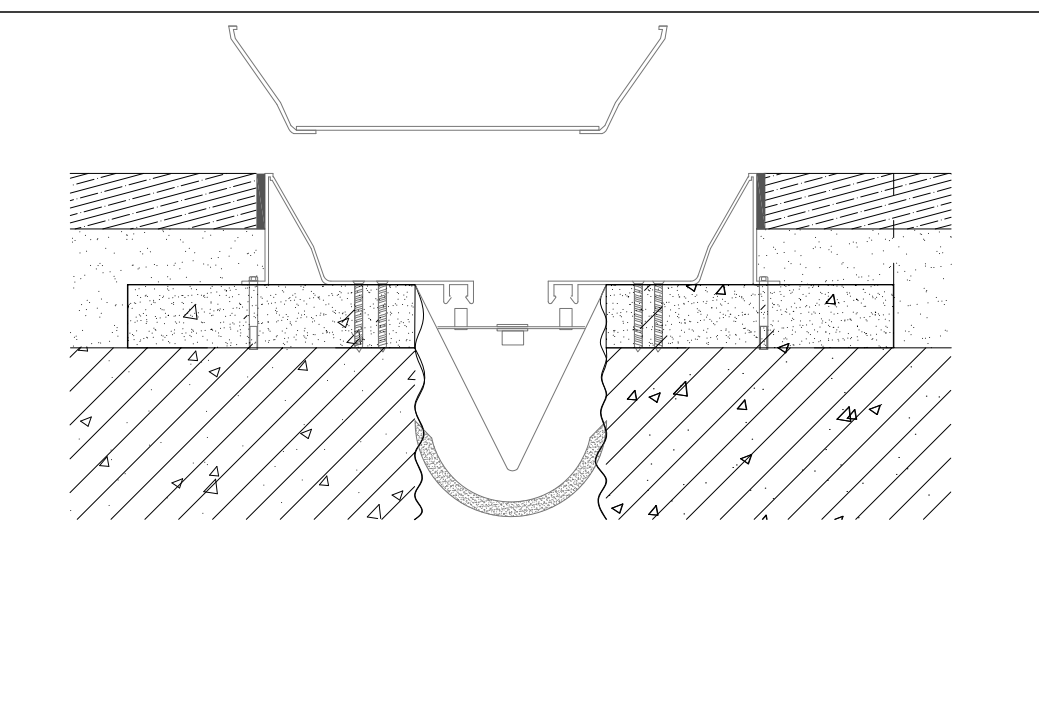
7. Nail the scree to make sure the base in on a straight line. Or when the centering bar bolt is screwed down, the aluminum plate must be mismatched.



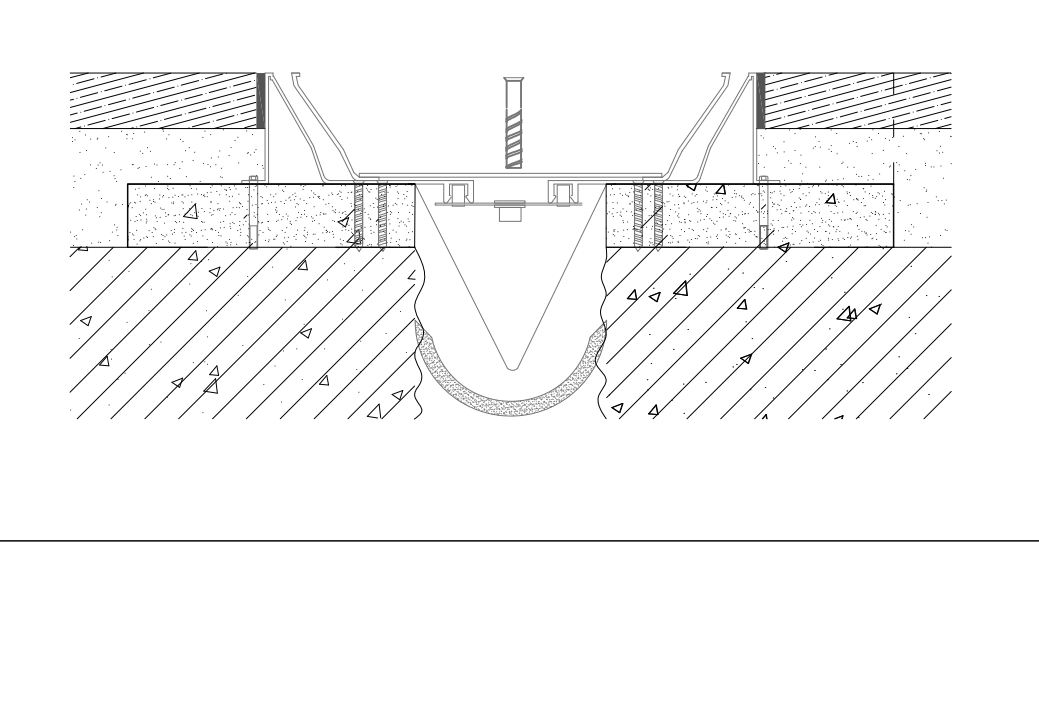
8. Install the Decorative level to make sure it has the same elevation with the aluminum base. And fill with sealant to make sure the aluminum base and decorative level to connect tightly and won't leak.



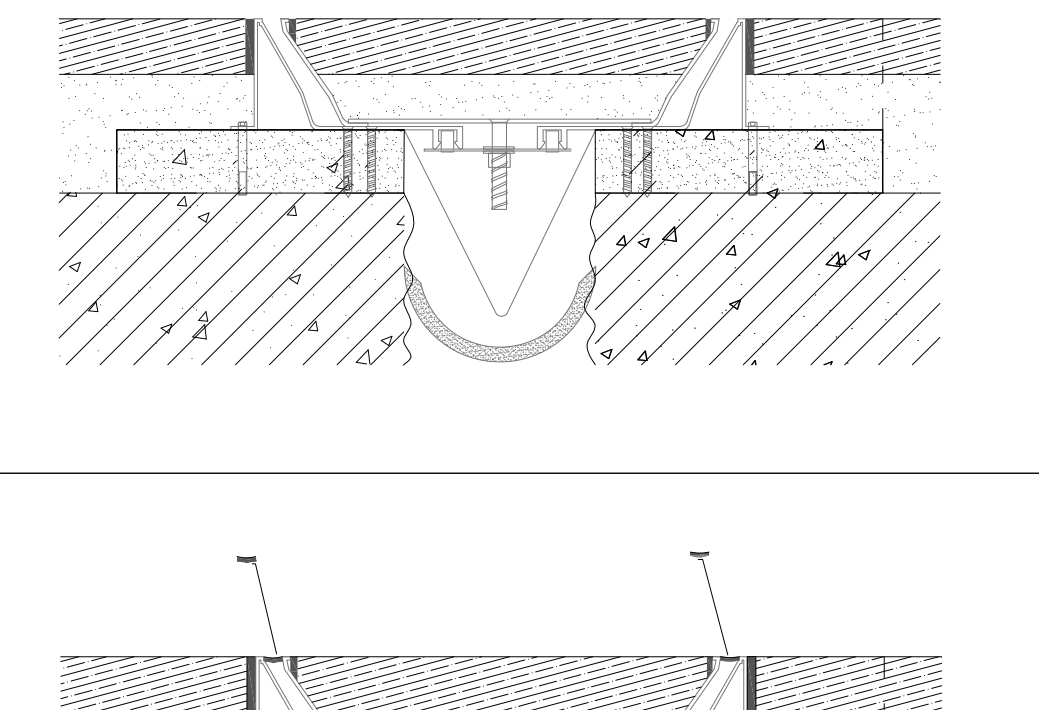
9. Install the centering bar and lean it as 45° with the aluminum base. According to the screw hole and get ready to put the centering plate on the aluminum base to make sure the location of the centering bar screw. Then mark on the screed coat, take down the plate and place the centering bar as the sign.



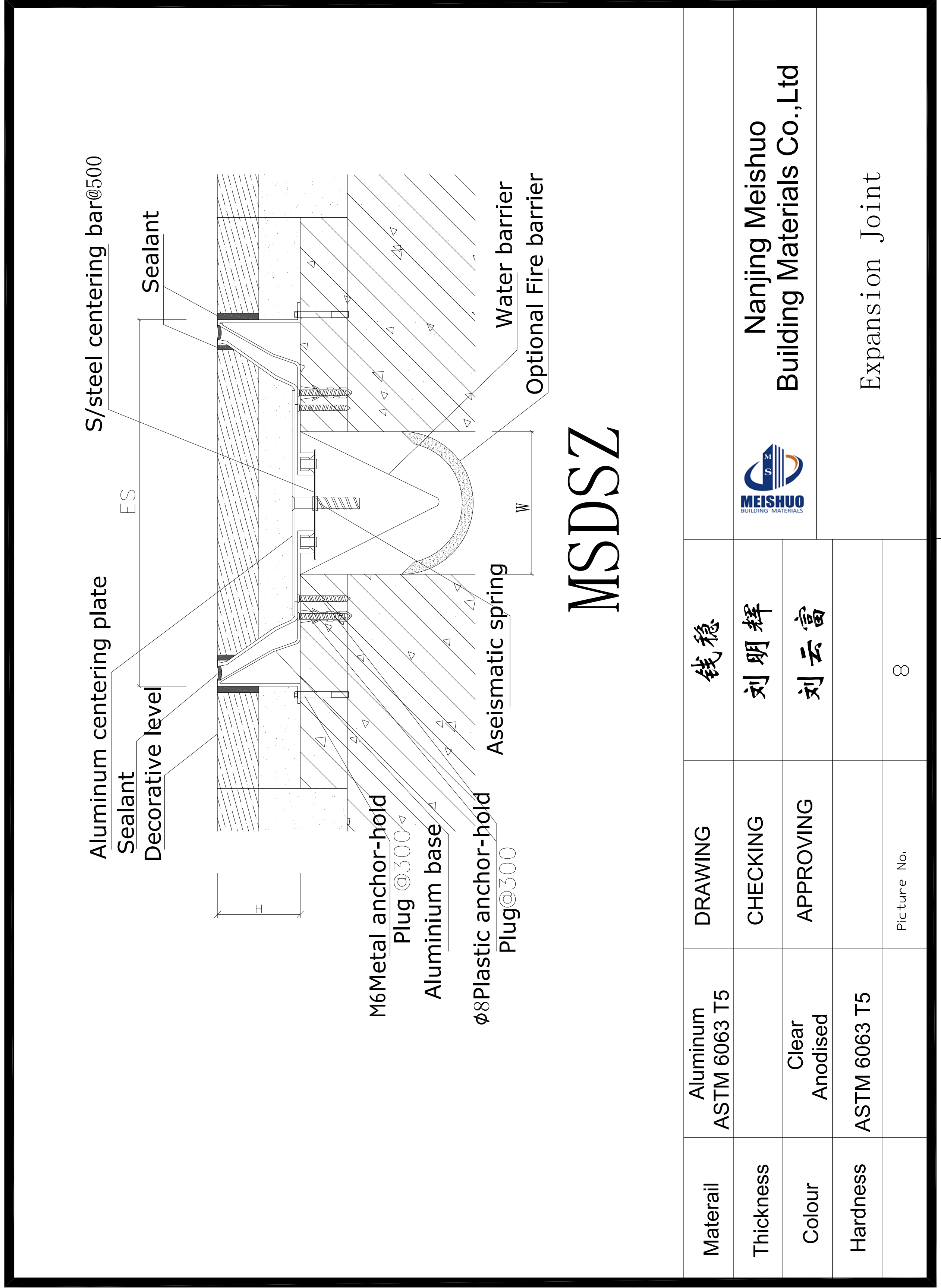
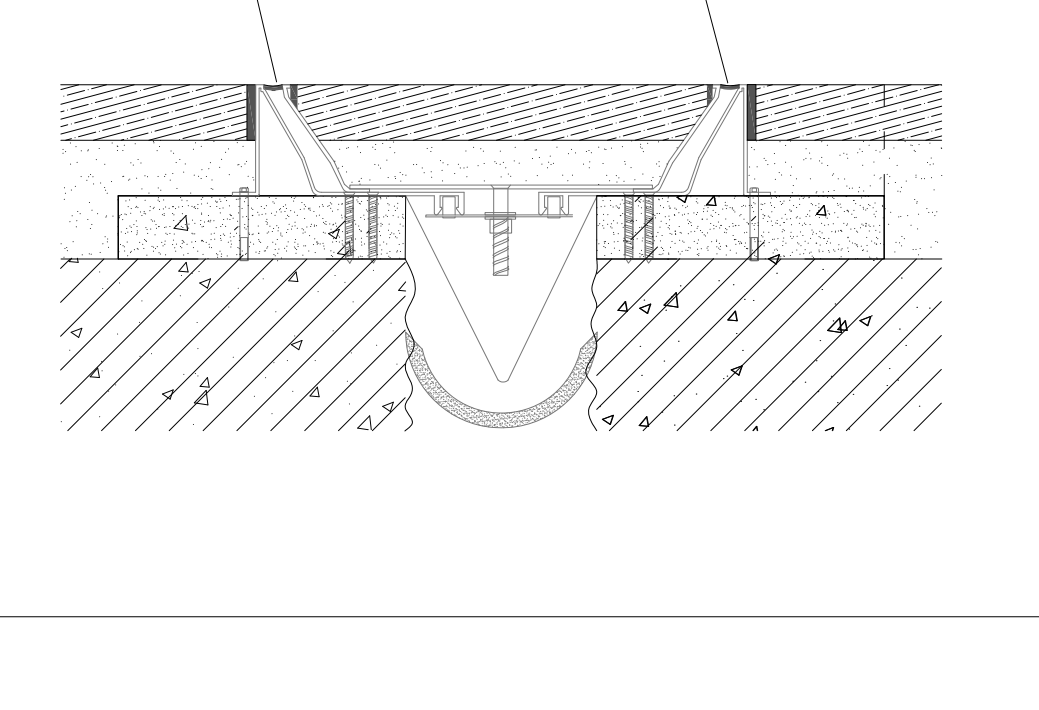
10. Install the centering plate. Connect the screw hole on the plate and screw arbor from one side and one by one.



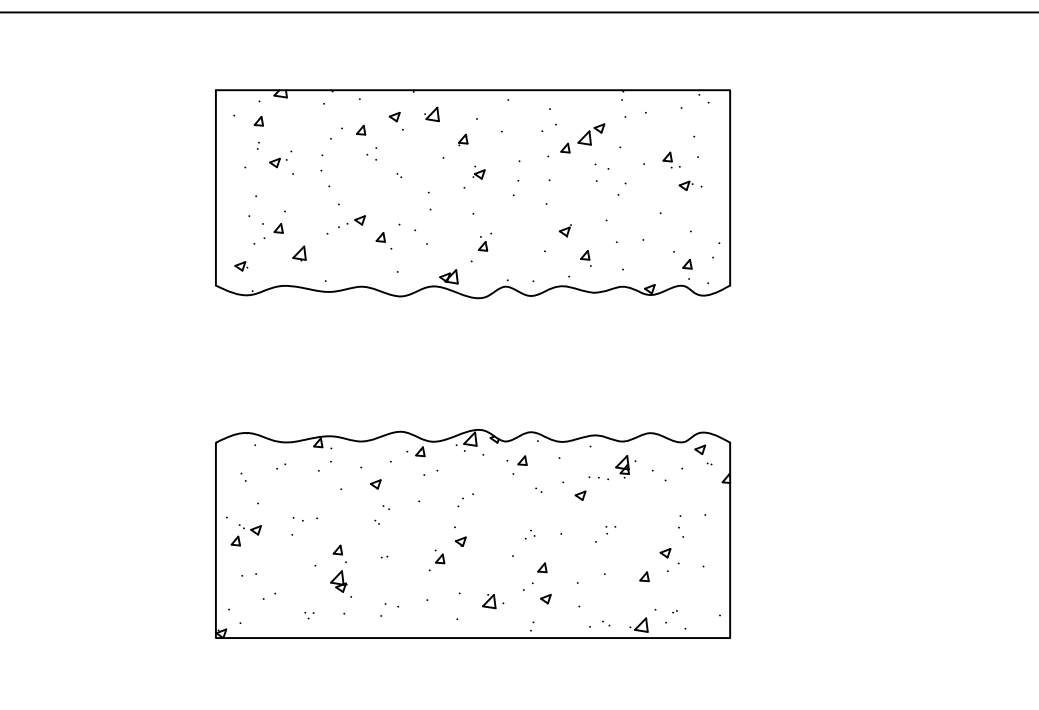
11. Finish the decorative level on the center plate



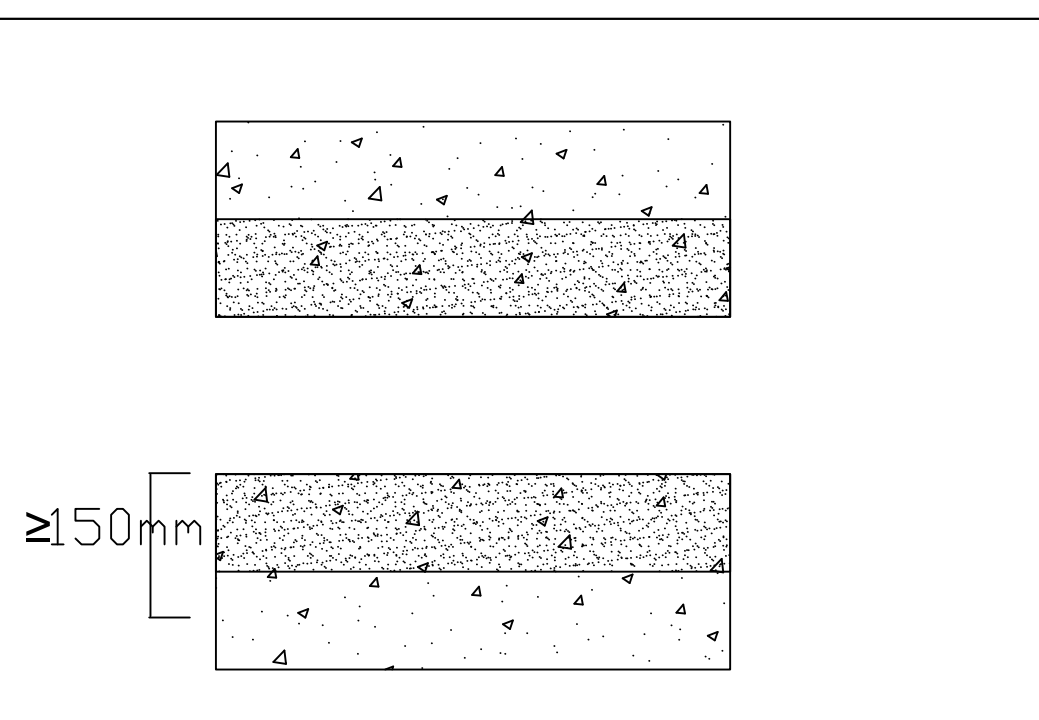
12. Put the sealant between the aluminum base and decorative level. the screw hole on the plate and screw arbor from one side and one by one.



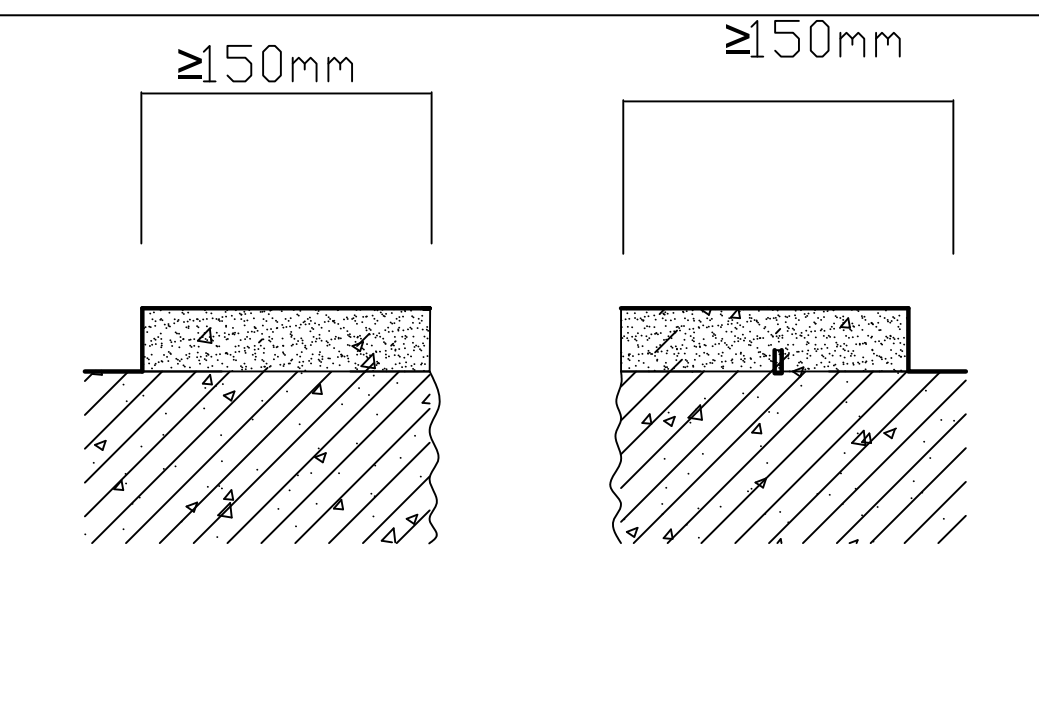
1. Clean the garbage and check if the gap is equally wide and straight.



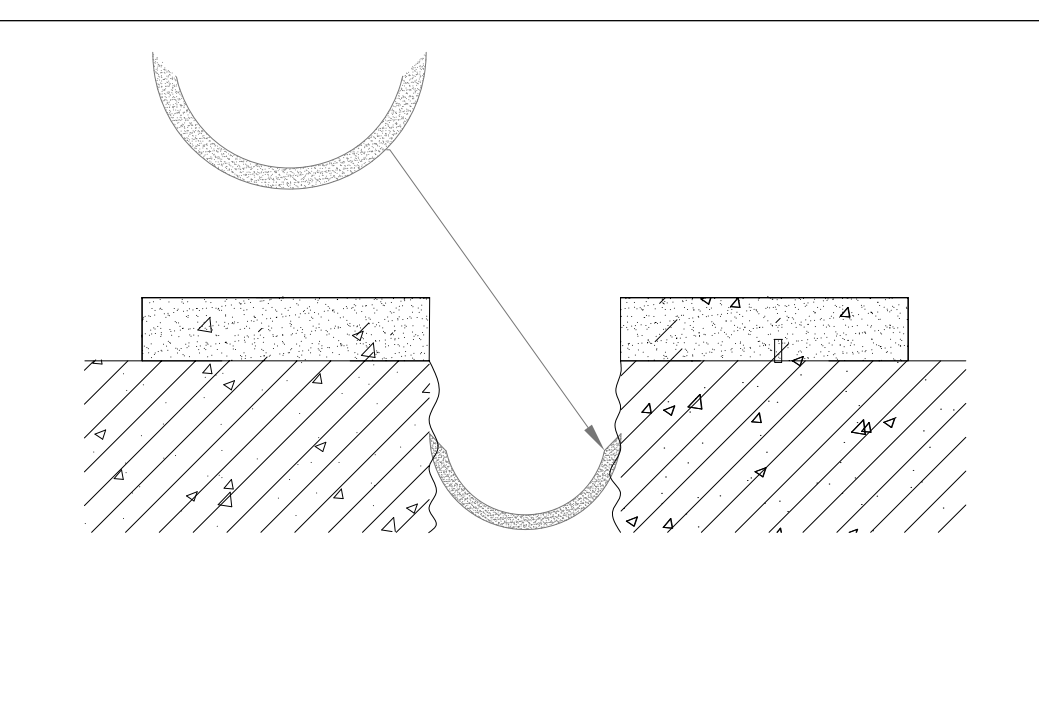
2. Make level



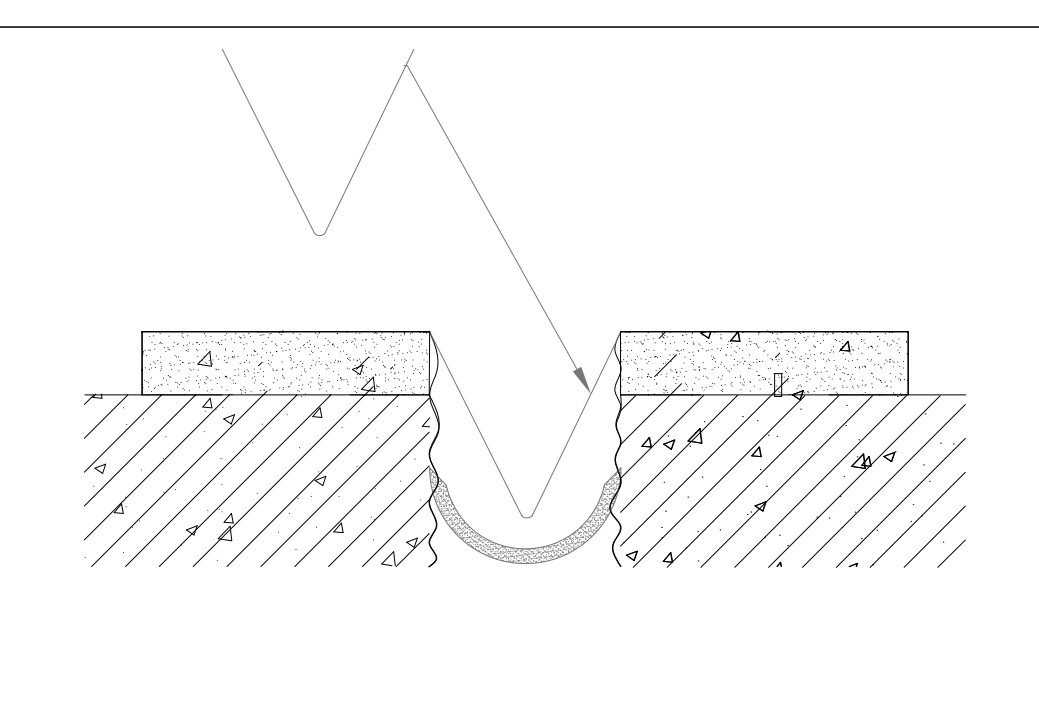
3. Make level with high strength of cement mortar. The width is more than 150mm.



4. Install the fire barrier. Then Snap the ink line on the screed coat to confirm the sidelines of the aluminum base.



5. Install the water barrier. The side line of water barrier can't cover the ink line snapped. (Brush the special glue on the surface of the screed coat and the lower surface of the water barrier. After the glue is almost air drying, put the water barrier on the screed coat.)



6. Install the aluminum base.

